

SPECIFICATIONS

Electrical Ratings	100mA @ 24VDC
Electrical Life	100,000 cycles typical
Contact Resistance	< 50 mΩ initial
Actuation Force	50 +/- 25gF
Actuator Travel	Total: 2.0mm +/- .25mm To Make: 0.4mm +/- .1mm
Dielectric Strength	250Vrms min
Insulation Resistance	> 100MΩ min
Operating Temperature	-40°C to 85°C
Storage Temperature	-40°C to 85°C



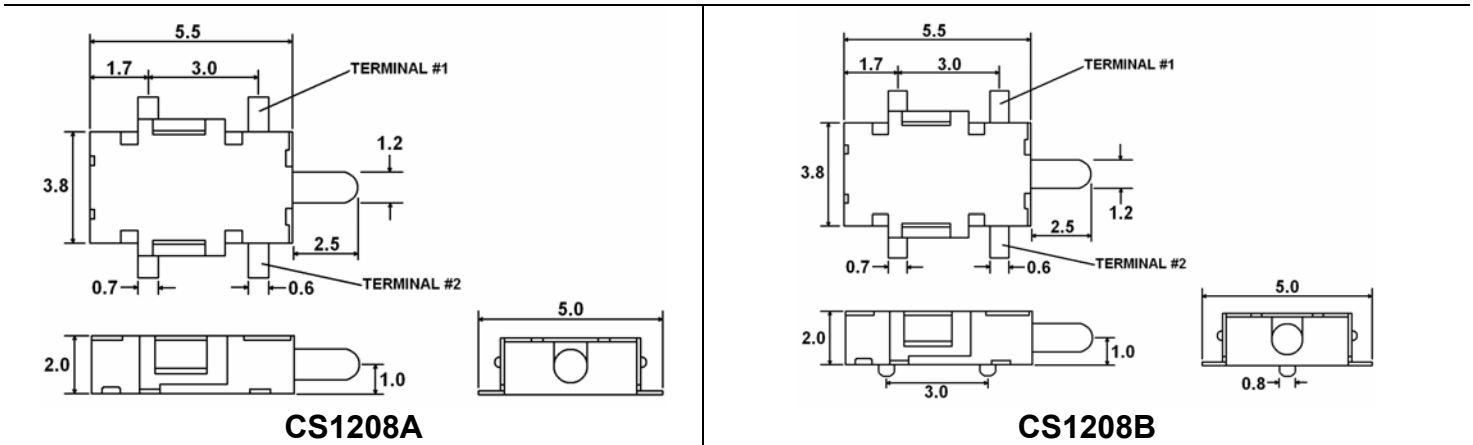
MATERIALS ←RoHS COMPLIANT

Actuator	4/6 Nylon
Housing	4/6 Nylon
Cover	Stainless Steel
Contacts	Stainless Steel, Silver Plated
Terminals	Brass, Silver Plated

ORDERING INFORMATION

1. Series:	CS1208	B
CS1208		
2. Switch Function:	Blank = SPST N.O (Standard) C = SPST N.C.	
3. Mounting Style:	A = Without Locating Pins B = With Locating Pins	

DIMENSIONS



SCHEMATIC & PC LAYOUT

